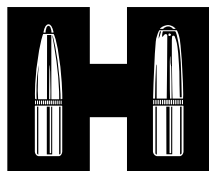
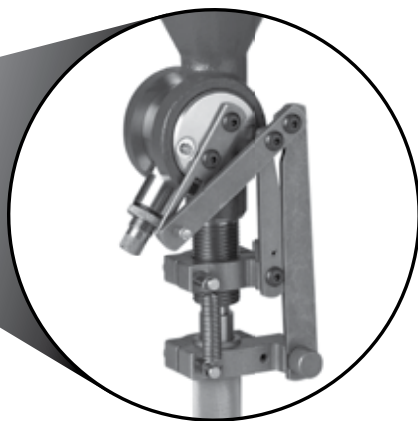


Lock-N-Load[®]

*Powder Measure and
Case Activated Powder Drop*

NO-RISK
LIFETIME
WARRANTY



Hornady[®]
Accurate. Deadly. Dependable.

TABLE OF CONTENTS

Chapter 1: Lock-N-Load Powder Measure

	Page
Overview	4
Step 1: Disassemble	4
Step 2: Assemble	5
Step 3: Operate and Adjustment	5
Step 4: Precautions	6
Charts	
1. Bill of Materials of Lock-N-Load Powder Measure	7
2. Exploded view of Lock-N-Load Powder Measure	8

Chapter 2: Case Activated Powder Drop

	Page
Overview	9
Step 1: Assembling the Case Activated Powder Drop Rotor Arm	10
Step 2: Upper Bracket Assembly	11
Step 3: Drop Tube Installation	12
Step 4: Installing the Case Activated Powder Drop (Lower Assembly)	13
Step 5: Final Powder Measure Assembly	15
Step 6: Case Activated Powder Drop Adjustment	16
Figures	
1. Attaching the Case Activated Powder Drop Rotor Arm	10
2. Upper Bracket Assembly	11
3. Drop Tube Installation	12
4. Installation for the Case Activated Powder Drop (Lower Assembly)	14
5. Final Powder Measure Assembly	15
Charts	
1. Bill of Materials for Case Activated Powder Drop	17
2. Exploded view for Case Activated Powder Drop	18

CHAPTER 1



Hornady Lock-N-Load Powder Measure Instructions

Your Powder Measure has been treated with a rust preventative which **must** be removed before use. We recommend that you clean and degrease all metal parts with Hornady One-Shot Cleaner and Dry Lube.

To Disassemble:

- Set the Rotor with the Metering Unit perpendicular to the axis of the Body, press the Push Button and hold it down while removing the Metering Unit.
***NOTE:** Do NOT remove push button. It is permanently installed and does not need cleaning.*
- Remove the Handle, or Rotating Arm from the Powder Measure, by removing the two attaching screws with a 1/8" hex wrench.
- Slide the Rotor out of the Body by pressing gently on the handle side of the Rotor.
 - *Be careful not to drop or otherwise damage the Rotor while it is out of the Body.*
- Remove the Lock Nut, O-Ring and Sleeve from the Metering Plunger. Spray all metal parts liberally with Hornady One Shot-Gun Cleaner and Dry Lube. Be sure all rust preventatives are removed.
- Allow it to dry thoroughly before reassembling.

TO ASSEMBLE:

Reverse the procedure in the first five steps above.

The Rotor and Body are very closely fit and must be properly aligned to reassemble.

DO NOT FORCE IT OR IRREPAIRABLE DAMAGE WILL OCCUR.

To Operate and Adjust:

- Attach the Mounting Bracket to your bench or shelf using (2) #14 Binding Head Sheet Metal Screws or other suitable hardware. The screws should be approximately $\frac{1}{2}$ " back from the edge of the bench, and the smaller of the two large holes should be suspended off of the bench.
- Place the Powder Measure in the hole of the Mounting Plate, thread the Lock Ring onto the Powder Measure, tighten the Lock Ring to the Mounting Plate and lock it in place with the $\frac{3}{32}$ " hex wrench, if desired.
- Select the appropriate Drop Tube (The smaller for 20 and 25 caliber, the larger for 6.5 mm and up) and thread it into the bottom of the Powder Measure until it is secure against the internal shoulder. (Finger tight is all that is required.)

- The Lock Nut and O-ring on the Metering Unit may be adjusted to provide tension on the thread of the Plunger, so as to allow setting it while not allowing unintentional movement in operation. It may be locked in place by tightening when adjustment is achieved.
 - One revolution of the plunger is .05" travel. With the plunger all the way in, or the capacity set to near zero, the end of the thread and the outer surface of the Lock Nut should be approximately flush.
 - With the plunger all the way out (roughly 20 turns, 1"), the maximum capacity is approximately 100 grains or 5 grains per turn.

- Once your Metering Unit is set, lock it, label it and store it with the die set, for the fastest possible return to the present setting in future loading sessions.

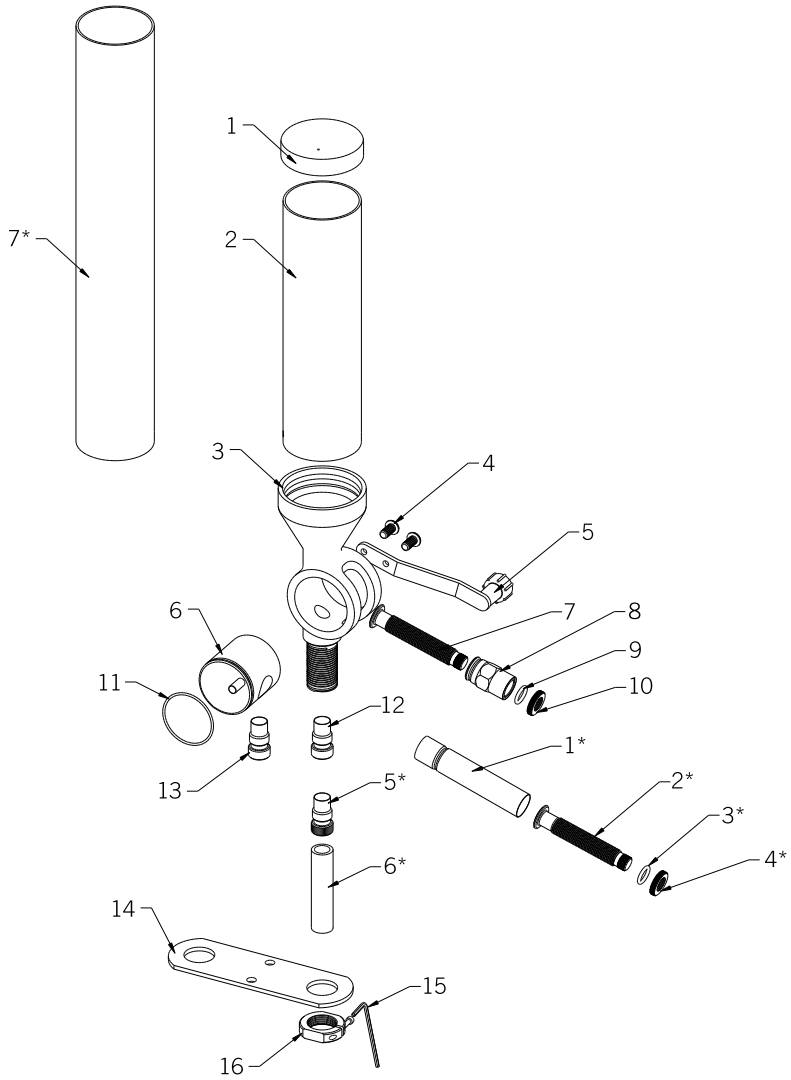
PRECAUTIONS:

- **Always change the metering units with the handle and the metering unit in the horizontal position, and after you have dropped the charge. If you allow the Handle to fall while changing units, you will drain the Hopper.**
- Be sure that you have the proper "Lock-N-Load" device locked in place, before operating.
- **Always verify your charges** with a scale before loading.
- Any moisture in the unit will cause powder to stick, and charge weights will vary dramatically.

BILL OF MATERIALS

Item No.	Production Part Number	Qty.	Description
1	170405	1	HOPPER CAP
2	398520	1	HOPPER
3	392740	1	BODY
4	392719	2	SCREW BHSCS 10-32 X 3/8
5	392752	1	HANDLE ASSEMBLY
6	392741	1	ROTOR
7	392743	1	METERING PLUNGER
8	392742	1	SLEEVE
9	480083	1	O-RING 1/2 ID X 11/16 OD
10	392764	1	NUT LOCK METERING UNIT
11	392766	1	O-RING 1 1/2 ID X 1 5/8 OD
12	390702	1	SMALL DROP TUBE
13	390701	1	LARGE DROP TUBE
14	392760	1	MOUNTING BRACKET
15	390656	1	3/32" HEX WRENCH
16	044000	1	LOCK RING
17	390653	1	1/8" HEX WRENCH
1*	392779	1	BODY 165-265
2*	392780	1	PLUNGER, HIGH CAPACITY
3*	480083	1	O-RING 1/2 ID X 11/16 OD
4*	392764	1	NUT LOCK METERING UNIT
5*	392777	1	ADAPTER
6*	392775	1	TUBE DROP
7*	398521	1	HOPPER
8*	390653	1	1/8" HEX WRENCH
9*	390656	1	3/32" HEX WRENCH
10*	390036	1	5/32" HEX WRENCH

(*)'s are for 50 BMG Powder Measure



CHAPTER 2

Case Activated Powder Drop

The Case Activated Powder Drop helps make reloading faster and easier than ever before. It automatically activates and dispenses a charge with every pull of the handle, but only when a case is present in the station. Plus, it works with Lock-N-Load bushings. (You can remove and change Hornady powder measures with a quick turn, without changing adjustments.) The Case Activated Powder Drop unit can be used **ONLY** on the Hornady Lock-N-Load Powder Measure.

Before using, disassemble and carefully clean the inside surfaces of the drop tube, measure adapter and powder sleeves. Rust preventative oil was applied at the factory to protect the parts during shipment and must be removed before reloading. Brake cleaner works well to remove the oil.

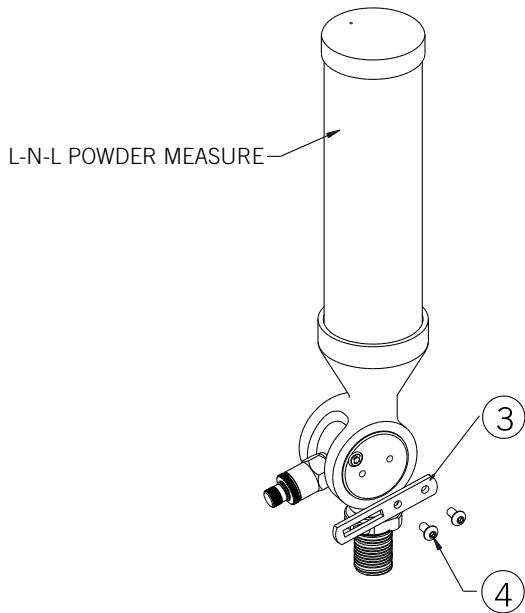


Fig. 1: Attaching the Case Activated Powder Drop Rotor Arm.

Step 1: Assembling the Case Activated Powder Drop Rotor Arm

- Reinstall the Rotor with the handle side to the right (metering opening facing you).
- Place the Metering Unit back into the Rotor.
- Attach the Case Activated Powder Drop Rotor Arm (#3) to the right side of the Rotor using two Button Head Cap Screws (#4).

Step 2: Upper Bracket Assembly

- Slide the Upper Bracket Assembly onto the Powder Measure.
- Engage Drive Link Pin (#10) into the Rotor Arm Slot.
- Adjust the position of the Upper Assembly so that the drive link pivot is across from the centerline.
- Tighten the two Button Head Cap Screws (#1) and (#9). The longest screw 10-32 X 1.25 goes in the front hole. Screw on the Spring Nut (#13) to the end of the 10-32 X 1.25 screw.

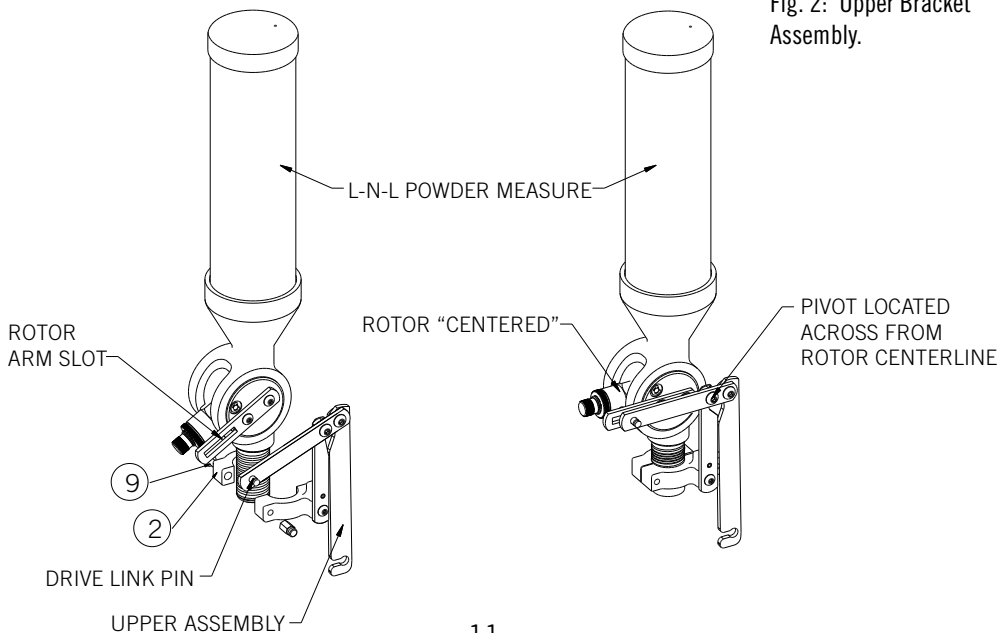


Fig. 2: Upper Bracket Assembly.

Step 3: Drop Tube Installation

- Screw the Drop Tube (#16) into the bottom of the Powder Measure.
- Lubricate the exterior of the Drop Tube (#16) with Hornady One Shot Gun Cleaner and Dry Lube or other similar dry lubricant.

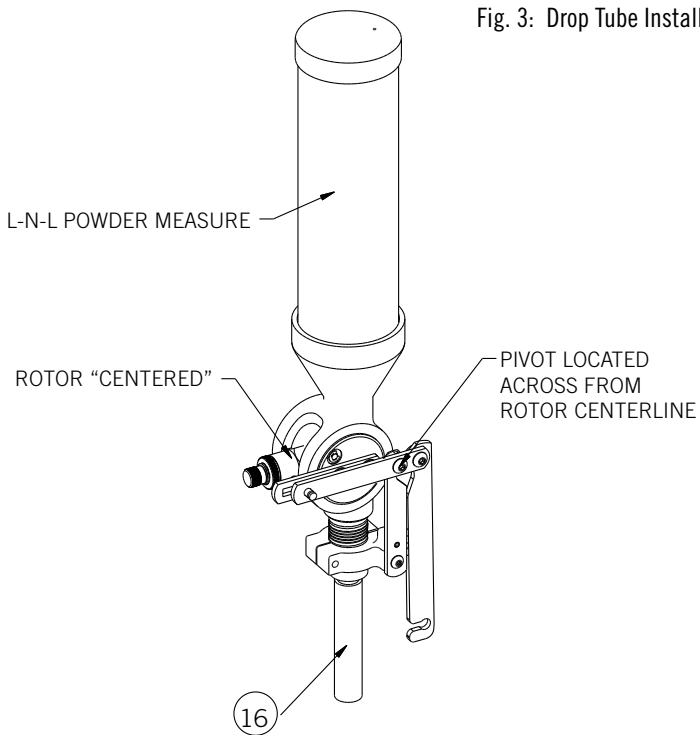


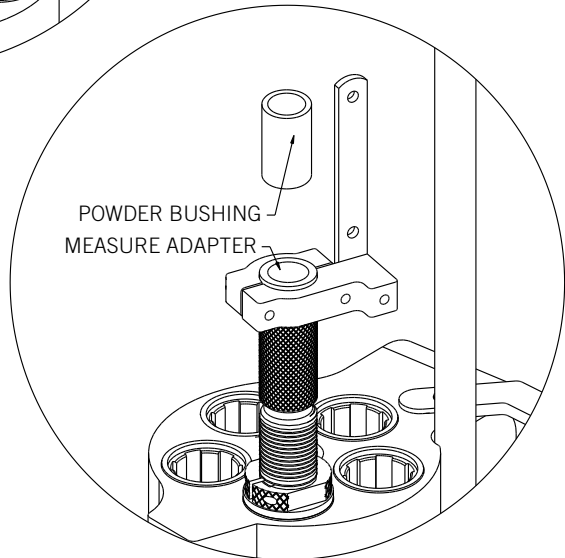
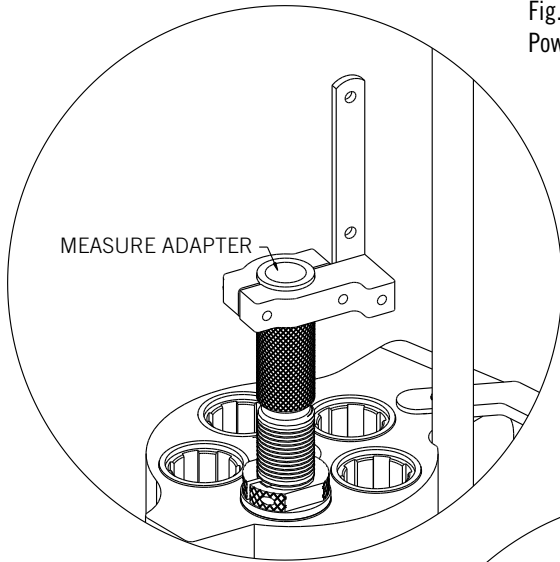
Fig. 3: Drop Tube Installation.

Step 4: Installing the Case Activated Powder Drop (Lower Assembly)

- Screw the Measure Adapter (Lower Assembly) into the reloading press a couple of turns.
- Select the appropriate powder bushing sleeve for your application. (Each sleeve has a shallow countersink on one side, and a deep counter sink on the other.) Insert the bushing, with the deep counter sink facing up, into the top of the measure adapter.
- If using a Drop Thru Expander Powder Sleeve, insert the Expander with the deep countersink facing up, into the top of the Measure Adapter.

The Case Activated Powder Drop comes with three internal powder bushing sleeves. The longest is the pistol powder sleeve (#20). Powder sleeve (#19) has the smallest inside diameter and works for loading 20 to 270 caliber rifle cases. The third and shortest powder sleeve is for loading 7MM to 45 caliber rifle cases.

Fig. 4: Installation for the Case Activated Powder Drop (Lower Assembly).



Step 5: Final Powder Measure Assembly

- Insert the Powder Drop Tube (#16) into the lower assembly. (Refer to pg. 13)
- Connect the slot on the Measure Link (#8), (Refer to pgs. 17 & 18 for more details).

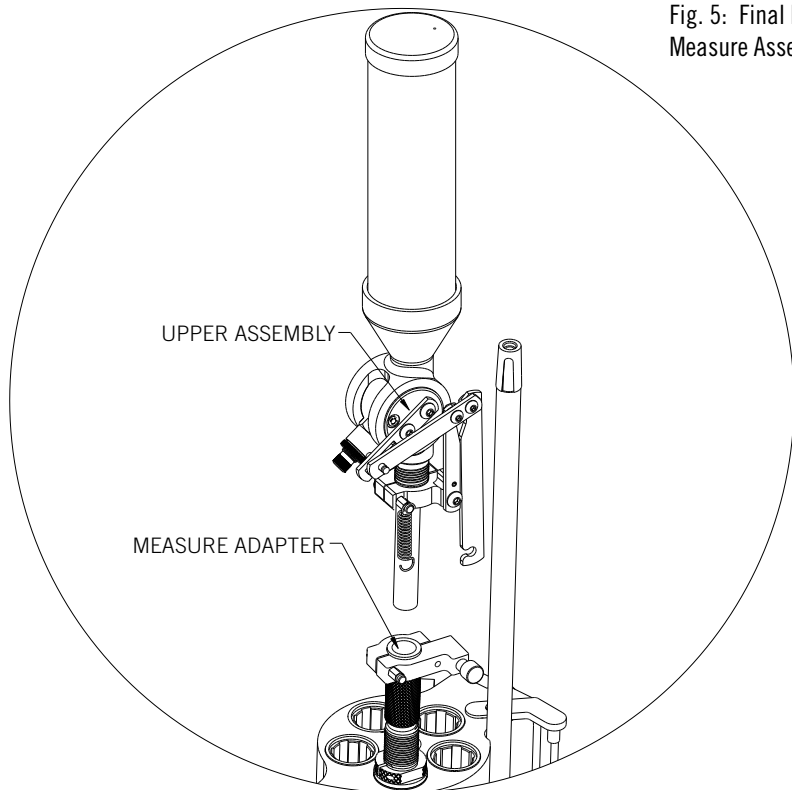


Fig. 5: Final Powder Measure Assembly.

Step 6: Case Activated Powder Drop Adjustments

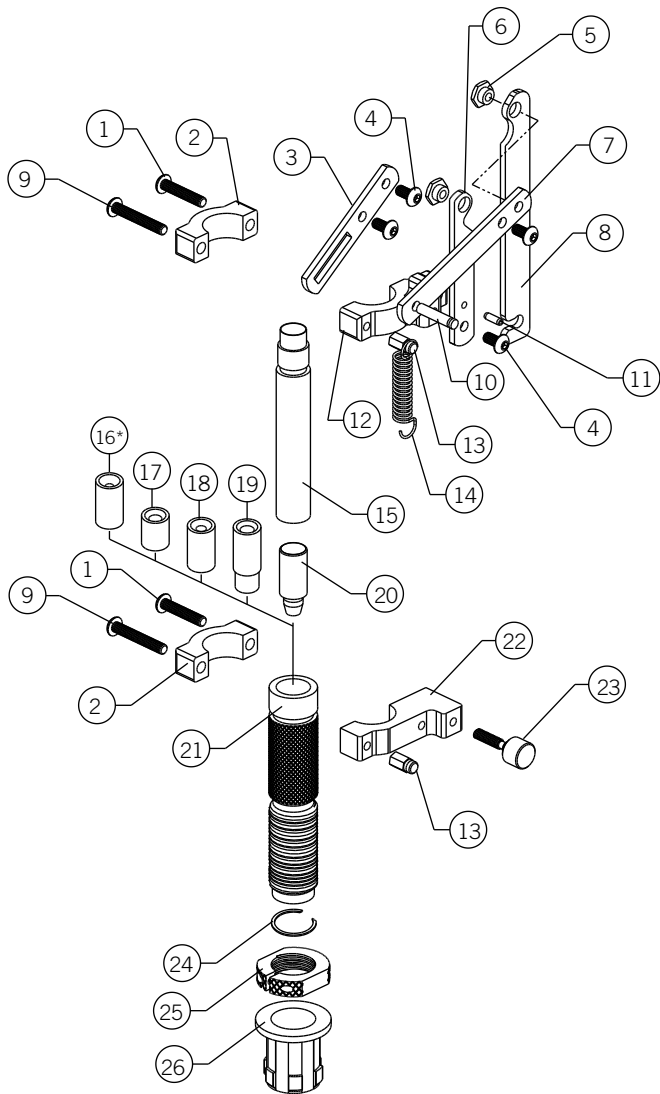
- Insert a case into the shell plate at station 3 of your Lock-N-Load AP and operate the handle to raise the ram to its highest position. (refer to pg. 13 in your Lock-N-Load AP manual)
- Lower the Powder Measure by rotating it Clock-Wise (CW) into the press until the Powder Measure Rotor is fully rotated, but not contacting the end of the slot in the Powder Measure Body.
- Lower the Ram and attach the Return Spring (#14) between the two Spring Pins (#13).
- Check the adjustment for correct positioning and secure the adjustment with the lock ring.

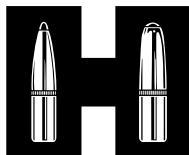
Clean the Case Activated Powder Drop at the end of each reloading session with a clean dry cloth to prevent a build up of excess powder. This helps prevent the internal sleeve from sticking and spilling powder around the cartridge cases as they are loaded.

BILL OF MATERIALS

Item No.	Production Part Number	Qty.	Description
1	392721	4	BHSCS 10-32 X 1.00
2	392708	2	MOUNTING CLAMP
3	392710	1	ROTOR ARM
4	392719	5	BHSCS 10-32 X 3/8
5	392715	2	SHOULDER NUT
6	398735	1	PIVOT
7	398737	1	DRIVE LINK
8	398736	1	MEASURE LINK
9	398742	2	BHSCS 10-32 X 1.25
10	392717	1	GROOVE PIN 3/16 X 7/8
11	392718	1	SPRING PIN 1/8 X 3/8
12	392707	1	UPPER BRACKET
13	398739	2	SPRING NUT
14	398738	1	RETURN SPRING
15	392705	1	DROP TUBE
16*	392703	1	17 CAL. SLEEVE
17	392701	1	#1 POWDER SLEEVE
18	392702	1	#2 POWDER SLEEVE
19	392700	1	PISTOL POWDER SLEEVE
20*	290040	1	.355 POWDER THRU EXPANDER
20*	290041	1	.357 POWDER THRU EXPANDER
20*	290042	1	.400 POWDER THRU EXPANDER
20*	290043	1	.430 POWDER THRU EXPANDER
20*	290044	1	.451/.452 POWDER THRU EXPANDER
20*	290045	1	.475 POWDER THRU EXPANDER
20*	290048	1	.500 POWDER THRU EXPANDER
21	392704	1	MEASURE ADAPTER
22	392706	1	LOWER BRACKET
23	398741	1	LOCKING BOLT
24	392722	1	RETAINING RING
25	044000	1	LOCK RING
26	392302	1	LOCK -N-LOAD BUSHING

* (Sold Separately)





Hornady[®]

Accurate. Deadly. Dependable.

P.O. Box 1848 • Grand Island, NE 68802-1848
(308) 382-1390 • www.hornady.com